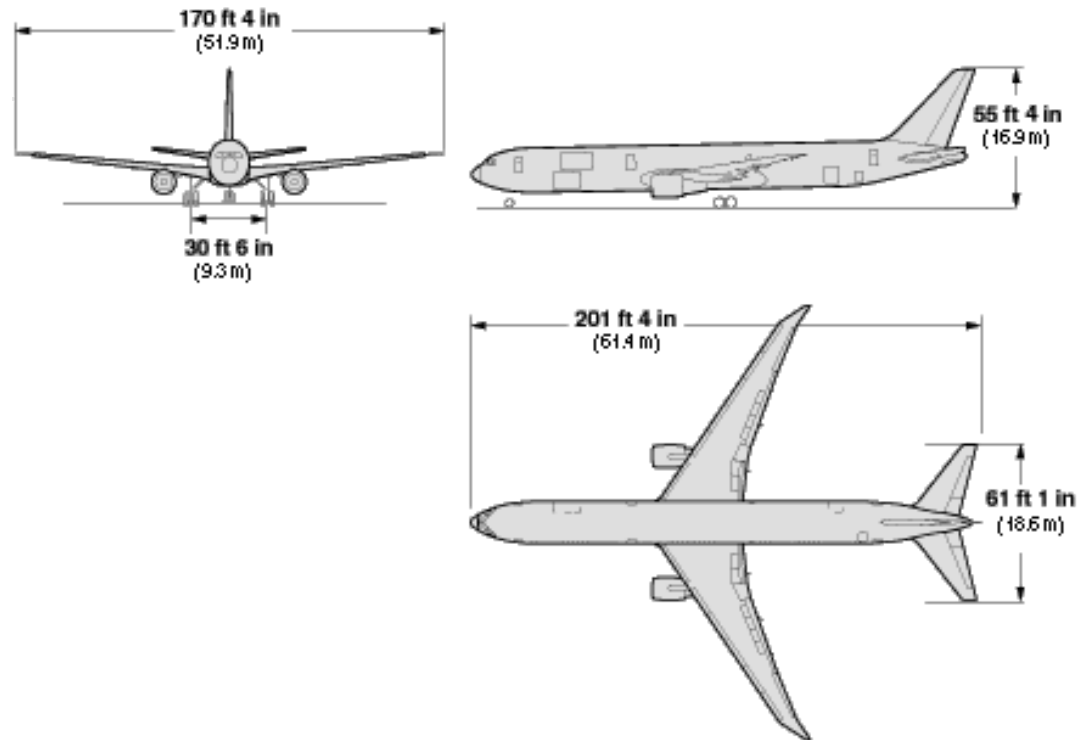


Cargo Freighter Specifications

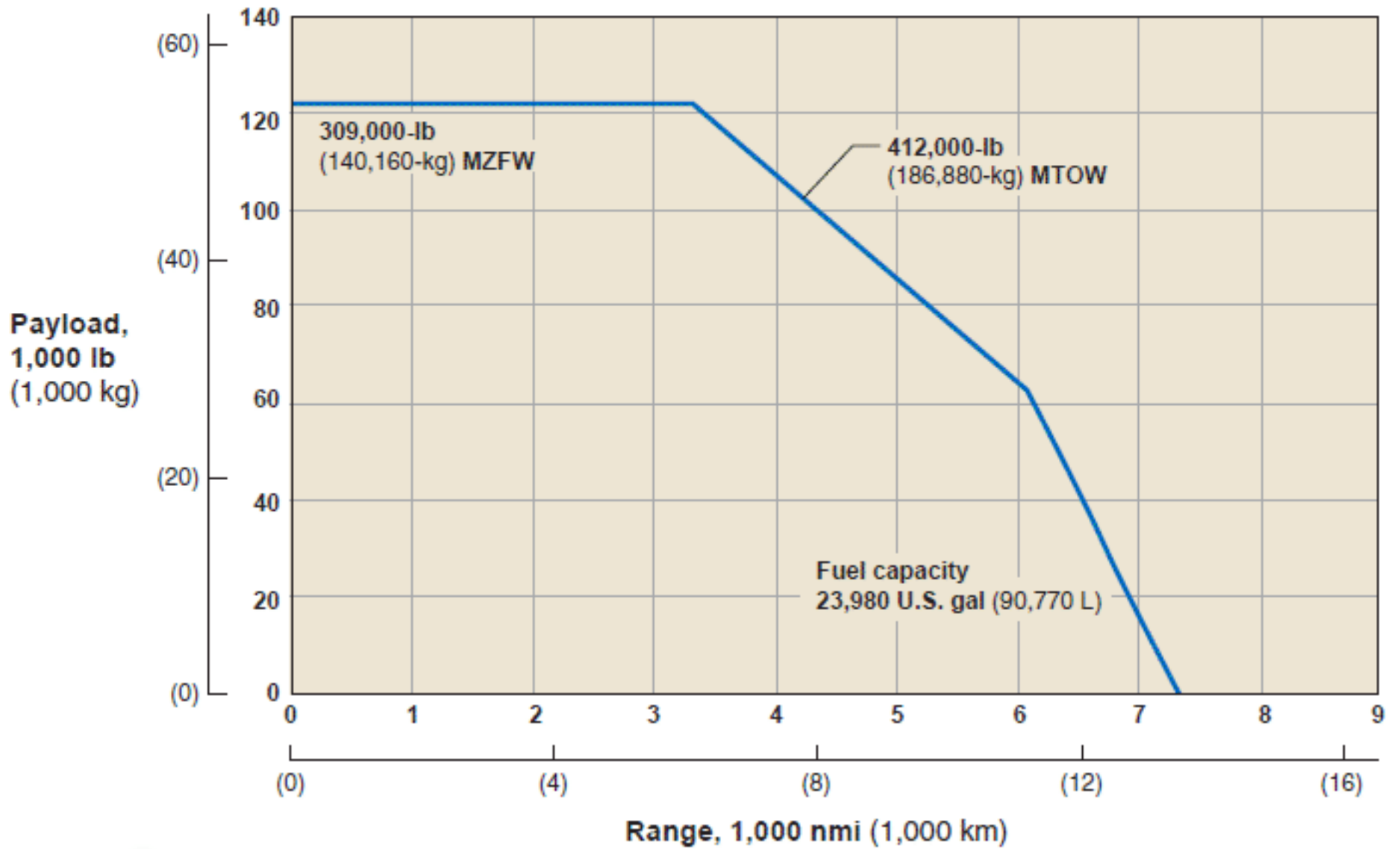
B767-300F



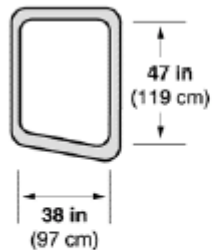
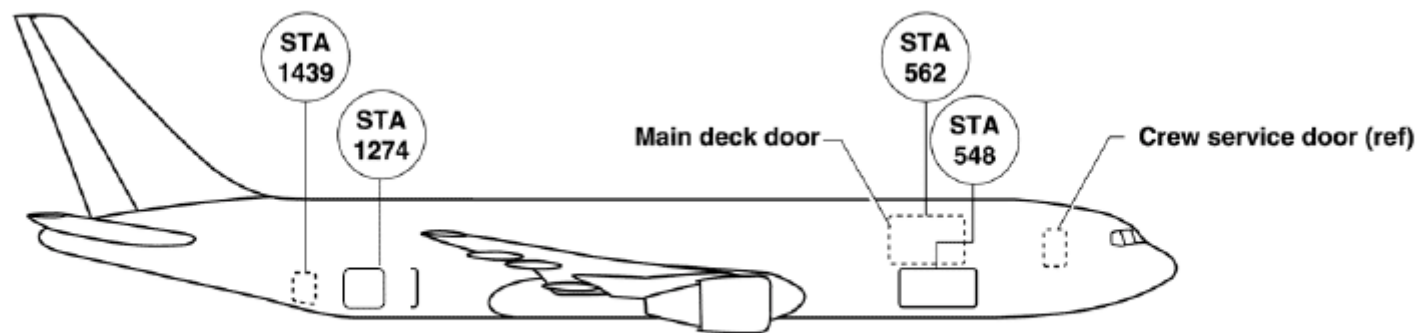




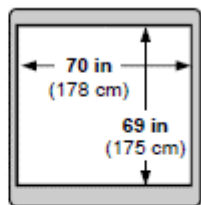
Payload-Range



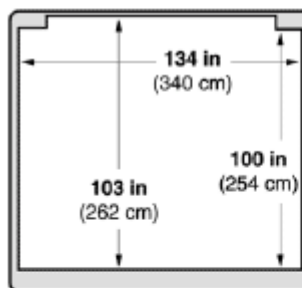
Loading Specification



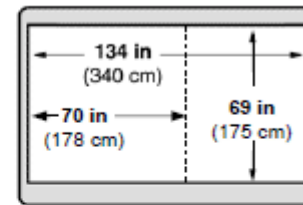
Bulk cargo compartment door (STA 1439)



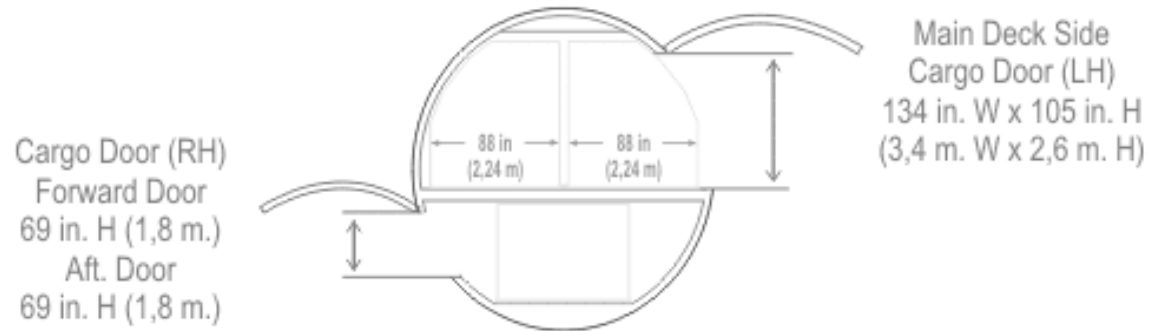
Aft lower cargo compartment door (STA 1274)



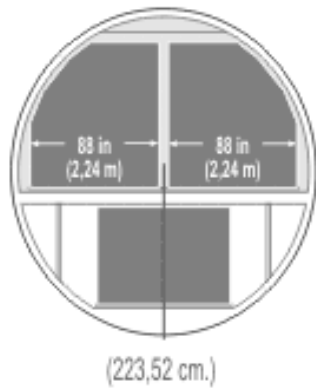
Main deck cargo door (STA 562)



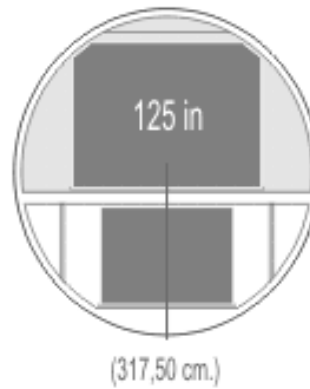
Large or standard forward lower cargo compartment door (STA 548)



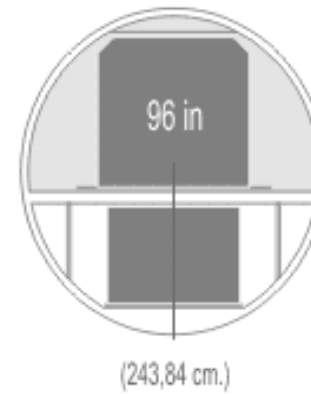
Longitudinal Main (SBS)
Deck Loading



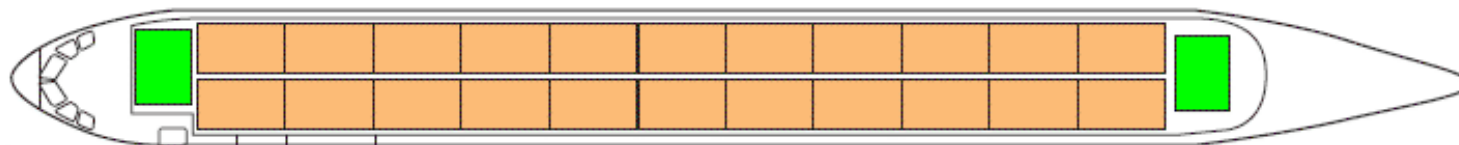
Transverse Main
Deck Loading



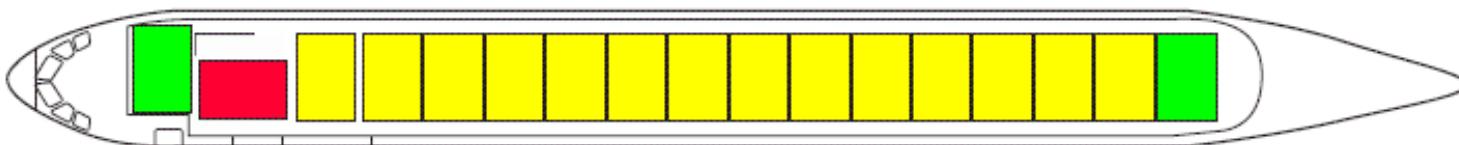
Longitudinal Main
Deck Loading



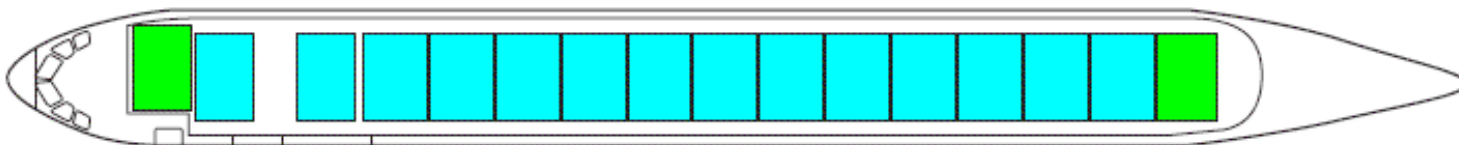
Main Deck



24 contoured pallets or containers, 88 x 125 in (2.2 x 3.2 m)
Main deck volume, 11,884 ft³ (336.5 m³)



17 contoured pallets or containers, 88 x 125 in (2.2 x 3.2 m)
Main deck volume, 9,190 ft³ (260.1 m³)



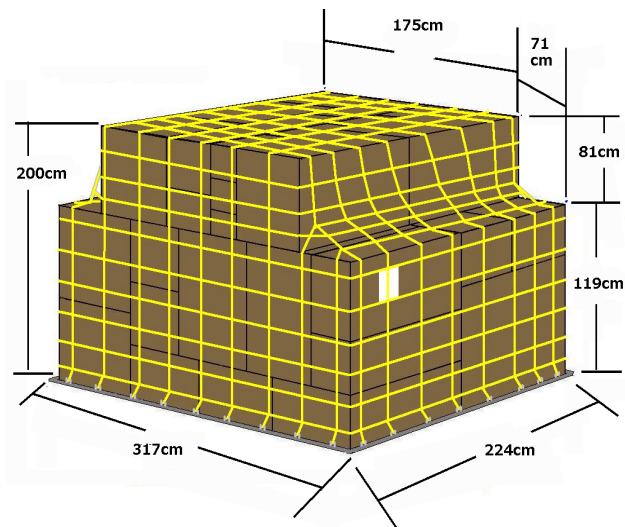
14 contoured pallets or containers, 96 x 125 in (2.4 x 3.2 m)
2 contoured pallets or containers, 88 x 125 in (2.2 x 3.2 m)
Main deck volume, 9,378 ft³ (265.4 m³)

Lower Deck

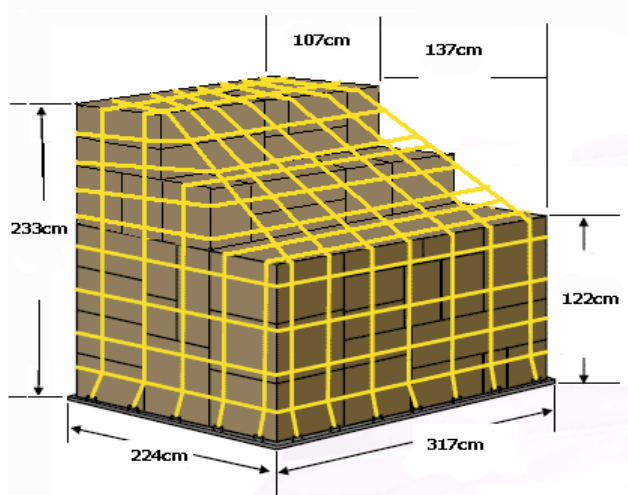


ULD Reference

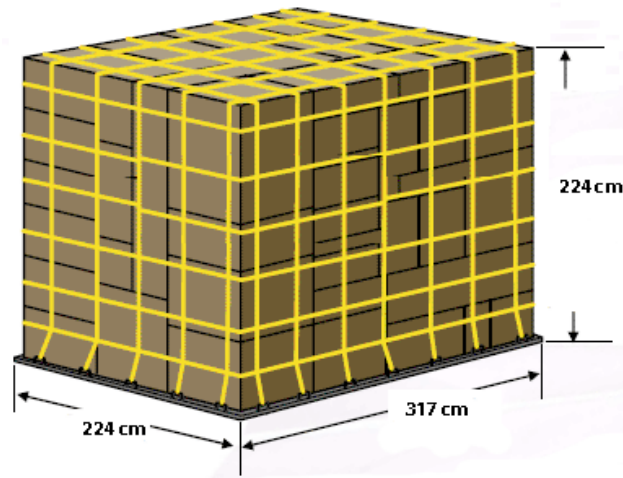
Refer to above Main Deck (Green color)



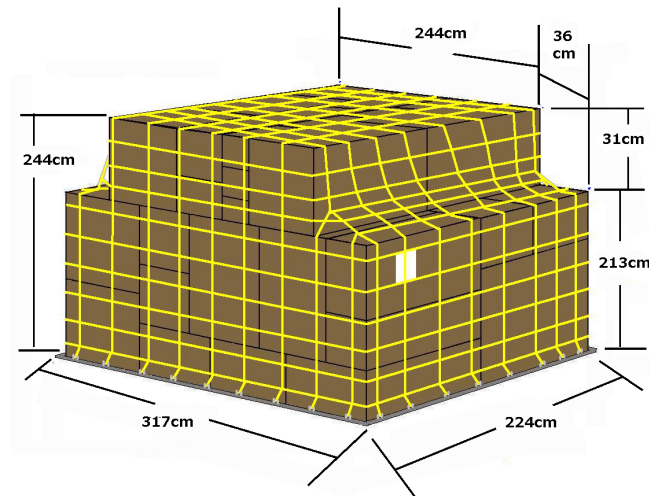
Refer to above Main Deck (Orange color)



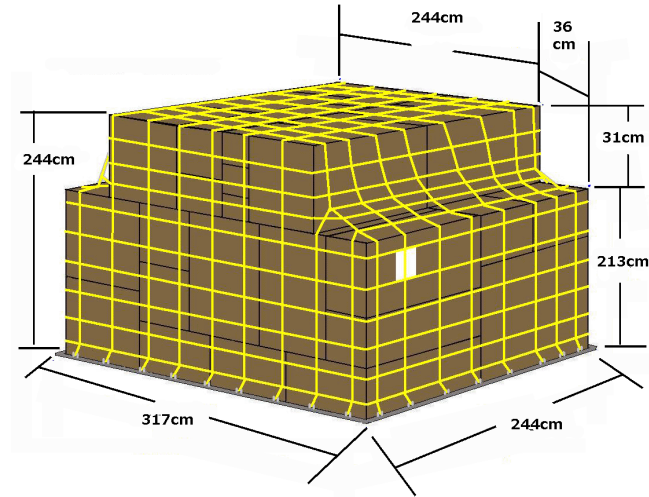
Refer to above Main Deck (Red color)



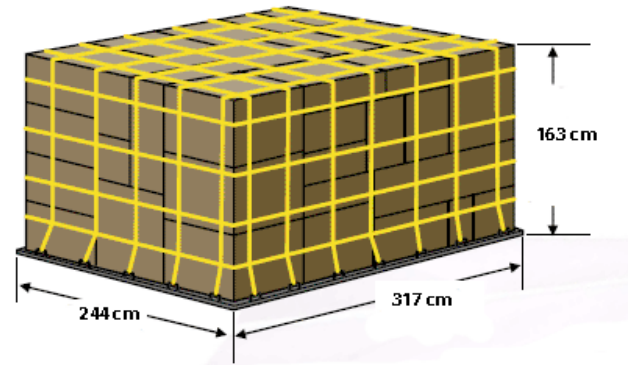
Refer to above Main Deck (Yellow color)



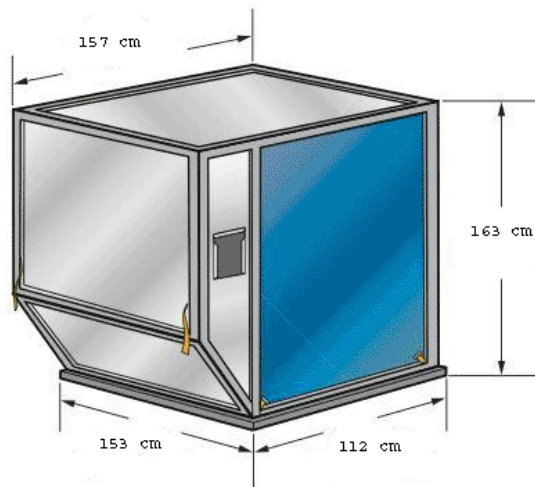
Refer to above Main Deck (Blue color)



Refer to above Lower Deck



and



Payload (Tons)	5 ,000
Volume (cbm)	430
Main Door Dimension (LxH, cm)	340x254
Bulk Door Dimension (LxH, cm)	97x119
Max Range (km) See Chart	5,556
Cruise speed (km/h)	850
MTOW (kg)	186,880
MZFW (kg)	140,160
Crew & Cargo Attendants	2
Max fuel capacity (kg)	90,770
Average fuel burn (tons/h)	4.5
Minimum runway (m)	2,890



Cargo Capacity

Maximum Payload: 116,200lb (52,700kg)

Total Volume: 15,469 cu.ft (438 cu.m)

Cargo Door Dimensions

Main Cargo Door: H 254cm - 103in x W 340cm - 134in

Lower Front Door: H 168cm - 66in x W 340cm - 134in

Lower Rear Door: H 168cm - 66in x W 340cm - 134in

Engines

GE CF6 - 80C2B7F 62,100 lb

Fuel Capacity

23,980 U.S. gallons (90,770 L)

Maximum Takeoff Weight

408,000 pounds (185520 kg)

Maximum Range

3,225 nautical miles (6,025km) with 58-ton (52.7tonnes) payload

Cruise Speed

Mach 0.80 530 mph (850 km/h)

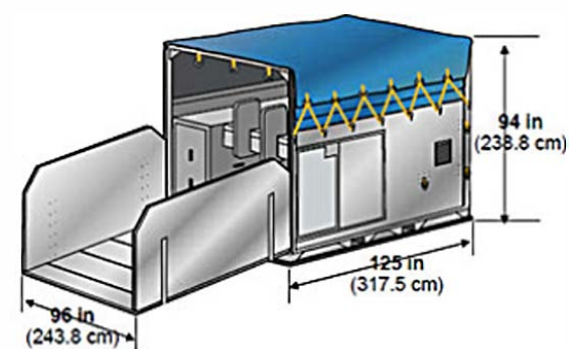
Wing Span: 156 ft 1 in (47.5 m)

Basic Dimensions

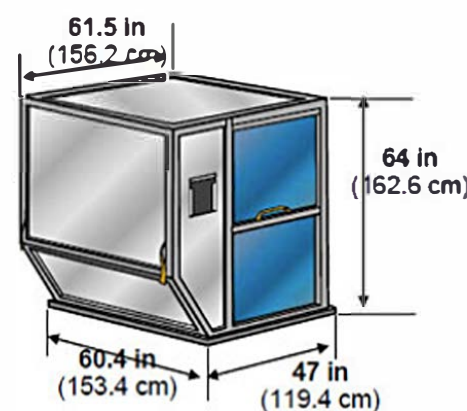
Overall Length: 180 ft 3 in (55 m)

Tail Height: 52 ft (16 m)

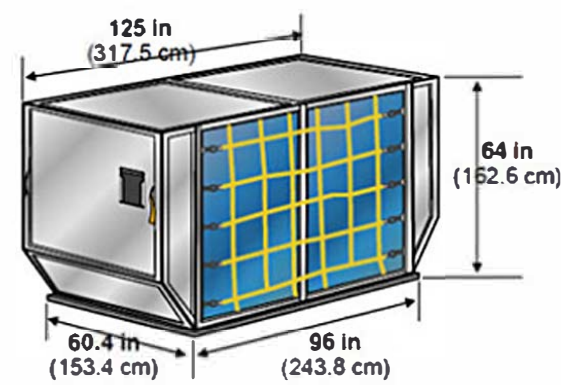
Compatible ULD's



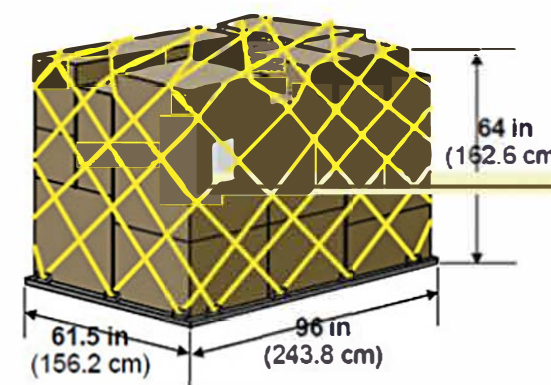
HMA STALL



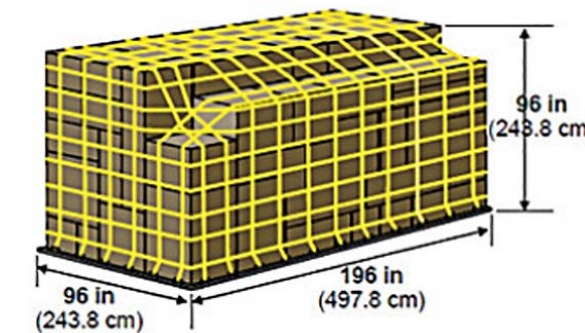
LD-2



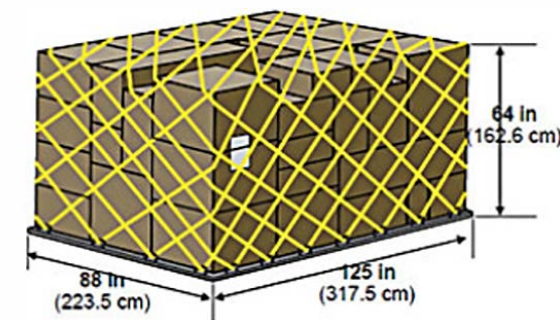
LD-8



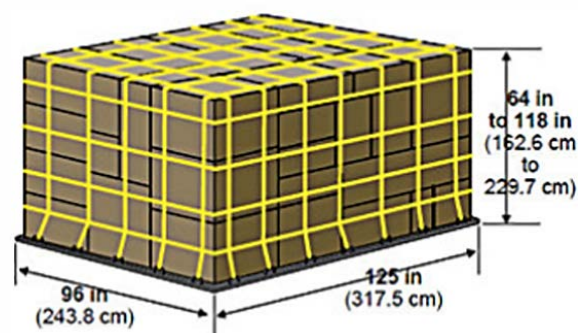
HALF-PALLET



MDP



LD-7 Flat Pallet



P6P Pallet

767-300 Freighter Technical Characteristics

Cargo

Maximum payload	116,200 lb (52,700 kg)
Total volume	15,469 ft ³ (438 m ³)*
Main deck	11,884 ft ³ (336 m ³)
Lower deck	3,585 ft ³ (102 m ³)

Engines (maximum thrust) GE CF6-80C2B7F 62,100 lb

Maximum Fuel Capacity 23,980 U.S. gallons (90,770 L)

Maximum Takeoff Weight 408,000 lb (185,060 kg)

Maximum Range 3,225 nautical miles (6,025 km) with 58-ton (52.7 tonnes) payload

Typical Cruise Speed Mach 0.80 530 mph (850 km/h)
(at 35,000 feet)

Basic Dimensions

Wing Span	156 ft 1 in (47.6 m)
Overall Length	180 ft 3 in (54.9 m)
Tail Height	52 ft (15.9 m)
Interior Body Width	15 ft 6 in (4.7 m)

*15,469 ft³ = 11,884 ft³ + 3,585 ft³ + bulk = 24 contoured pallets (88 in x 125 in) + 7 pallets (96 in x 125 in) + 2 LD-2 containers + bulk